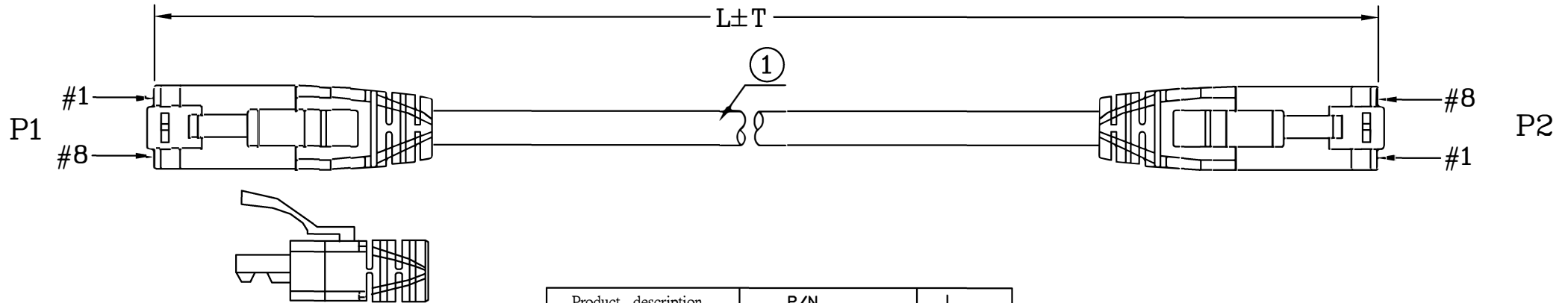


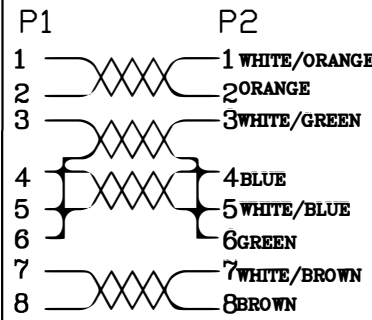
RoHS COMPLIANT

DESCRIPTION CONTROL			
REV	DESC	DATE	ECN NO.
R1		2020-07-22	



Product description	P/N	L
1' CAT6 A SLIM -BLUE	E09-001BL-SLIM	305±30
3' CAT6 A SLIM -BLUE	E09-003BL-SLIM	915±30
7' CAT6 A SLIM -BLUE	E09-007BL-SLIM	2135±50
10' CAT6 A SLIM -BLUE	E09-010BL-SLIM	3050±50
14' CAT6 A SLIM -BLUE	E09-014BL-SLIM	4270±50
25' CAT6 A SLIM -BLUE	E09-025BL-SLIM	7625±50
50' CAT6 A SLIM -BLUE	E09-050BL-SLIM	15250±200
100' CAT6 A SLIM -BLUE	E09-100BL-SLIM	30500±500
125' CAT6 A SLIM -BLUE	E09-125BL-SLIM	38125±500

PIN ASSIGNMENT



4	UTP CAT.6A 28AWG STRANDED(W/CENTER CRDSS)PVC (GLOSSY),BLUE,OD4.5+/-0.3mm	L	M		ITEM: E09-XXXBL-SLIM	REV
3	U6PGC6F5F25E50 UTP RJ45 PLUG 50U* 3PRONG FOR STRANDED/SOLID CABLE	2	PCS			R1
2	GRBT-026SR-5.0 ASSEMBLY CLEAR SR BOOT OD5.0MM (BLUE)	2	PCS	DRAWN BY:	SCALE: NONE	DATE:2020.4.27
1	AAAXXXXXX RJ45-8P8C(50U*) TO RJ45-8P8C(50U*)	1	PCS	CHECKED BY:	CUSTOMER:C337	PAGE:1/1
				APPROVED BY:	CUSTOMER P/N:	
NO	PART NO.	DESCRIPTION	QTY	UNIT	ALL DIMENSIONS IN mm	